

1.9 Regional Operating Channels

AIS operates primarily on two dedicated VHF channels, CH 2087 and CH2088. Where these channels are not available regionally, the AIS is capable of being automatically switched to designated alternate channels by means of a message from a shore facility. Where no shore based AIS or GMDSS sea area A1 station is in place, the AIS should be switched manually as in paragraph 1.9.2.

A regional operating area is set with the procedure shown below. The most recent eight areas are memorized.

- Automatic setting of VHF DSC (channel 70) from shore-based AIS
- Automatic setting by AIS message from shore-based AIS
- Setting by shipboard system such as ECDIS
- Manual setting

The default area is as follows:

- Tx power: 12.5 W
- Channel no. 2087, 2088
- Frequency bandwidth: 25 KHz
- Tx/Rx mode: Tx/Rx

1.9.1 Viewing channels, Tx power

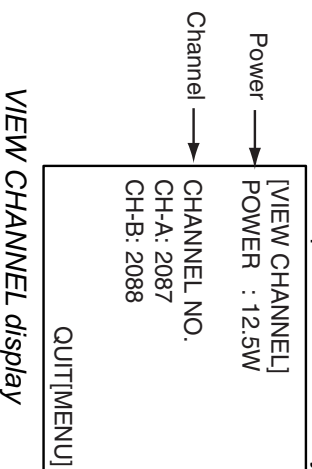
Do the following to view current channels.

1. Press the **MENU** key to open the menu.
2. Choose **CHANNEL SETTINGS** and then press the **ENT** key.



CHANNEL SETTINGS menu

3. Choose **VIEW CHANNEL** and then press the **ENT** key.



VIEW CHANNEL display

4. Press the **DISP** key to close the display.

1.9.2 Displaying, editing regional operating area status

You may display the status of regional operating areas currently memorized in the equipment. Nine of any combination of AIS message from shore-based AIS, DSC message, manual settings and commands from ECDIS or a PC may be registered and one will be HIGH SEA.

About registering areas

- AIS and DSC messages registered within last two hours cannot be edited.
- An item labeled HIGH SEA cannot be registered. ("HIGH SEA" are data used for international waters not controlled by shore-based AIS.)
- If two areas overlap one another the older data is deleted.
- Data older than five weeks is deleted.
- Area data is deleted when it is more than 500 miles from the area for which it was registered.

1. Press the **MENU** key to open the menu.
2. Choose CHANNEL SETTINGS and then press the **ENT** key.
3. Choose EDIT CHANNEL and then press the **ENT** key.

```
[EDIT CHANNEL]
SELECT NO.: [0]
TIME
- - / - - - - : - : - -
FROM
MMSI: - - - - - - - -
TYPE: MANUAL
QUIT [MENU] EDIT[ENT]
```

EDIT CHANNEL sub-menu, page 1

SELECT NO.: File number, 0-9. In order of distance from own ship, from closest to furthest.

TIME: Data and time equipment controlled by external source.

MMSI: MMSI displayed for control by DSC or shore-based AIS. Dashes or "EMPTY" (no data) otherwise.

TYPE: How channel is controlled: AIS, AIS message; HIGH SEA (for reference setting) P1, ECDIS or PC; DSC, DSC, MANUAL, manual control

Note: MMSI and TYPE must be set to other than "HIGH SEA" to edit.

4. Use **▼** or **▲** to choose desired file number from SELECT NO.

5. Press the **ENT** key to show details.

[EDIT CHANNEL]	1/2
FROM MMSI:	-----
POWER :	12.5W
CH NO.	CH-A: 2087
	CH-B: 2088
MODE	CH-A: TX/RX
	CH-B: TX/RX
ZONE:	1nm

EDIT CHANNEL sub-menu, page 1

6. POWER is selected; press the **ENT** key to show the channel power options.
- | |
|-----------|
| 2W |
| 12.5W |
7. Use **▼** or **▲** to choose power desired and then press the **ENT** key.
 8. CH NO. CH-A is selected; press the **ENT** key.
 9. Use the **CursorPad** to choose channel number for CH-A and then press the **ENT** key.
 10. CH NO. CH-B is selected; press the **ENT** key.
 11. Use the **CursorPad** to choose channel number for CH-B and then press the **ENT** key.
 12. MODE CH-A is selected; press the **ENT** key.

TX/RX
RX
UNUSED

13. Use the **CursorPad** to choose desired mode for CH-A and then press the **ENT** key.

Mode	1	2	3	4	5	6
CH-A	TX/RX	TX/RX	RX	RX	RX	UNUSED
CH-B	TX/RX	RX	TX/RX	RX	UNUSED	RX

Note: If a combination other than shown above is chosen, the message “ILLEGAL MODE WAS SELECTED PRESS ANY KEY.” appears.

14. MODE CH-B is selected; press the **ENT** key.
15. Use the **CursorPad** to choose desired mode for CH-B and then press the **ENT** key.
16. ZONE is selected; press the **ENT** key.
17. Key in the zone distance and then press the **ENT** key. (The setting range is 1 to 8 (nm)).
18. Use **▼** or **▲** to show page 2 of the [EDIT CHANNEL] sub menu.

```

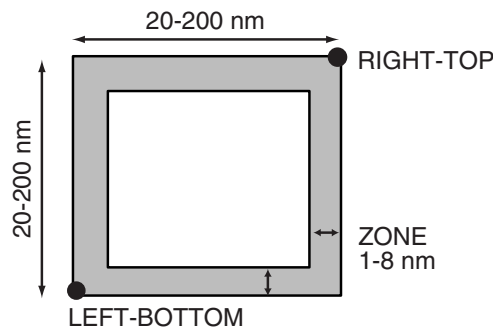
[EDIT CHANNEL]    2/2
CH AREA
RIGHT TOP
LAT:  0°00.0'N
LON:  0°00.0'E
LEFT BOTTOM
LAT:  0°00.0'N
LON:  0°00.0'E

```

EDIT CHANNEL sub-menu, page 2

19. LAT of RIGHT TOP is selected; press the **ENT** key. Use the **CursorPad** to enter latitude for the right-top position (northeast point) of the AIS operating area and then press the **ENT** key.
20. LON of RIGHT TOP is selected; press the **ENT** key. Use the **CursorPad** to enter longitude for the right-top position (northeast point) of the AIS operating area and then press the **ENT** key.
21. LAT of LEFT BOTTOM is selected; press the **ENT** key. Use the **CursorPad** to enter latitude for the left-bottom position (southwest point) of the AIS operating area and then press the **ENT** key.
22. LON of LEFT BOTTOM is selected; press the **ENT** key. Use the **CursorPad** to enter longitude for the left-bottom position (southeast point) of the AIS operating area and then press the **ENT** key.

Note: The available range is 20-200 nm. If the area contains overlapping data the older data will be erased.



Description of RIGHT-TOP, LEFT-BOTTOM and ZONE items

23. Press the **MENU** key. The prompt shown below appears.

```

SAVE CHANNEL.

ARE YOU SURE?
YES  NO

```

24. Press **◀** to choose YES and then press the **ENT** key.
25. Press the **DISP** key to close the menu.

Note: If you enter invalid data, the message “OUT OF RANGE!: OO” appears. Press any key to escape. Reenter data.